

# TD-1401E

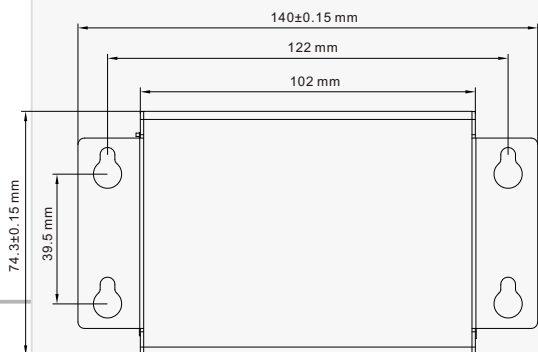
## 4 MP HD Video Server



### Features

- 4MP ( 2560 x 1440 ) full real time coding
- Max. resolution: 2560 x 1440
- H.264, H.265 and MJPEG encoding
- Support 4MP AHD / CVBS video access; 2MP TVI / AHD / CVBS video access
- Micro SD card local storage of image and record with pre-alarm recording and auto cycle recording
- Smart analysis including line crossing, intrusion, exception detection ( optional )
- PoE / DC12V power supply
- 1 CH alarm input and 1 CH alarm output
- Support three streams
- COC control
- Support ROI coding
- TVS 6000V lightning protection, surge protection

### Dimensions



### Specifications

Model	TD-1401E
<b>Specifications</b>	
<b>Video &amp; Audio Input</b>	
HD Analog Video Input	1 CH, BNC interface ( level : 1.0Vp-p, impedance : 75Ω ), PAL / NTSC self-adaptive, 4MP AHD / CVBS video access; 2MP TVI/AHD/CVBS video access
Audio Input	1 CH : 3.5 mm interface, share with MIC IN interface
<b>Video &amp; Audio Encoding Parameters</b>	
Video Compression	H.264, H.265, MJPEG
H.264 Compression Standard	Baseline Profile / Main Profile / High Profile
Bit Rate Type	VBR / CBR
Quality	Five levels under VBR; Freely adjustable under CBR
Bit Rate	32Kbps ~ 16Mbps
Resolution	4MP ( 2560×1440 ), 3MP ( 2304×1296 ) / ( 2048×1536 ), 1080P ( 1920×1080 ), 960P ( 1280×960 ), 720P ( 1280×720 ), D1, CIF, 480×240
Multi-streams	4MP ( 1~30fps ) / 3MP ( 1~30fps ) / 1920×1080 ( 1~30fps ) / 960P ( 1~30fps ) / 720P ( 1~30fps ) / 720P ( 1~30fps ) / D1 ( 1~30fps ) / CIF ( 1~30fps ) / D1 ( 1~30fps ) / 480×240 ( 1~30fps ) / CIF ( 1~30fps )
Audio Compression	G711A / U
Image Settings	ROI, Saturation, Brightness, Chroma, Contrast, Wide Dynamic, Sharpen, NR, etc. adjustable through client software or web browser
ROI	Yes
<b>Interfaces</b>	
Network	RJ45
Audio	MIC IN × 1, SPK OUT × 1
Storage Card	Up to 128GB
RS485	Yes
Alarm Input	1 CH alarm input
Alarm Output	1 CH alarm output
Local Output	1 CH BNC output
<b>Functions</b>	
Remote Monitoring	IE browsing, CMS remote control
Online Connection	Support simultaneous monitoring for up to 6 users; Support multi-stream real time transmission
Network Protocol	TCP / IP, UDP, DHCP, NTP, RTSP, PPPoE, DDNS, SMTP, FTP
Interface Protocol	ONVIF, GB-T / 28181-2011
Image Snap	JPEG encoding, image quality adjustable
Smart Analysis	Exception detection, intrusion detection, line crossing detection
Ingress Protection	TVS6000V lightning protection, surge protection
<b>Others</b>	
Power Supply	PoE / DC12V
Power Output	Max 12V@0.5A
Power Consumption	< 4W
Operating Environment	-20°C ~ 55°C, 10% ~ 90% ( relative humidity )
Dimensions ( mm )	140 × 74.3 × 29 ( W × D × H )
Weight ( net )	220g
Installation	Wall mounting