



## TD-YZJ0809

### Ceiling Mounting Bracket

#### Features

- Aluminum alloy material with surface spray treatment
- Ceiling mounting bracket for dome cameras

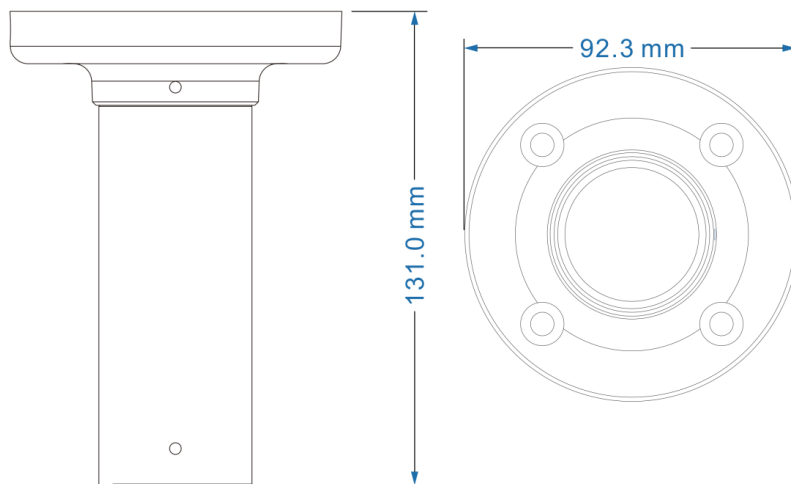
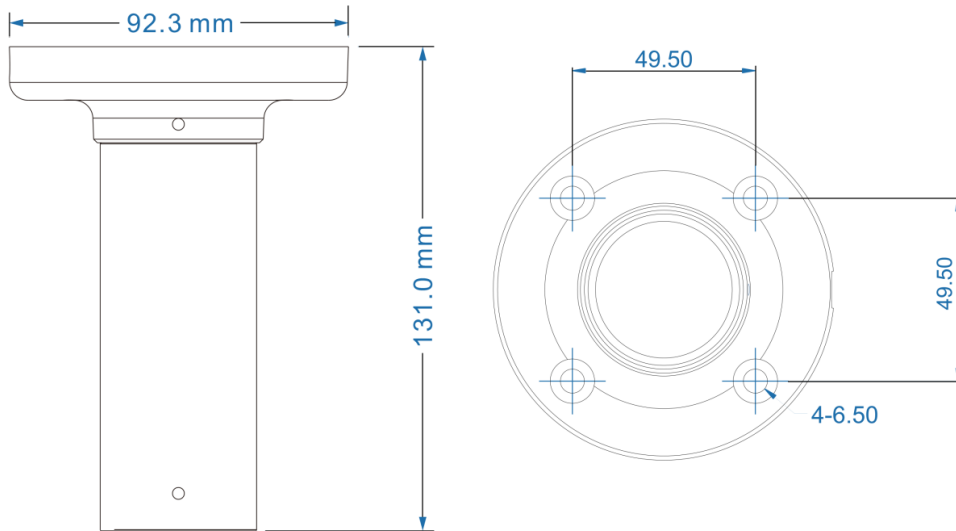
#### Specifications

Model	HD-YZJ0809
Material	Aluminum alloy
Color	White
Min. Packaging Quantity	10
Packing Size	540x149x205mm
Dimension	92.3x131mm
Net Weight	210g
Load Bearing	The wall must be strong enough to withstand at least 3 times the weight of the camera and the bracket.
Working Temperature	-40°C~+60°C(-40°F~+140°F)
Working Humidity	10% ~ 90%

#### Available Model

Available Model	HD-YZJ0809	Ceiling mounting bracket
-----------------	------------	--------------------------

**Dimensions**



**Shenzhen TVT Digital Technology Co., LTD.**

Address: 23<sup>rd</sup> Floor, Block B4, Building NO.9, Shenzhen Bay Eco-Technology Park, Nanshan District, Shenzhen, Guangdong Province, P.R. China

Tel: +86-755-36995888

Website: <http://en.tvt.net.cn>

Fax: +86-755-33104777

E-mail: [overseas@tvt.net.cn](mailto:overseas@tvt.net.cn)