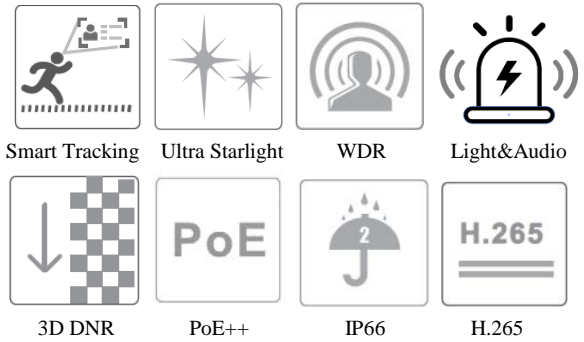


## 2MP 32X Ultra-Starlight Alert Network PTZ Camera



### TD-8623IM (A/PE/32M/AR20)

#### System

TD-8623IM (A/PE/32M/AR20), 2MP Ultra starlight 32X zoom alert network PTZ camera is a new design for human/vehicle smart tracking and deportation application. The PTZ camera could automatically detect and classify max 30 persons/vehicles per second. When any of them intrude restricted area, the PTZ camera will trace and zoom fit in center of screen. And even more, the PTZ camera will trigger immediate alert, send strong strobe white flash light beam and loud audible warnings to intruder. The gimbals are re-designed to expand vertical rotation angle to 180°, elevation angle is raised to -25° to cover wider detection range, and the rotation speed doubles to 240°/s to trace faster of objects. With the 32x powerful lens, this model could offer great detail over wide range. In dim night, by the contribution of 1/1.8' large CMOS sensor and high-power LED arrays, the camera could capture faces upon 200m away. The model is designed for 7/24 work in harsh outdoor weather: with full metal shield, built-in turbo fan, thermal sensor, high power heater.

#### Key Spec:

- 1/1.8" progressive scan CMOS
- Up to 2MP (1920×1080@30fps)
- Mini illumination:
  - Color: 0.002 lux @ (F1.5 AGC ON)
  - B/W: 0.0004 lux@ (F1.5 AGC ON)
  - 0 Lux with IR
- 32x optical zoom, fast and accurate
- WDR, 3D DNR, Smart IR
- Up to 200m supplement light
- Smart H.265/H.264 video compression
- 1.0Tops Deep-learning Engine
- Smart tracking of human/vehicle
- Strobe light & audio upon intrusion events
- Metal Body, IP66, -40°C~65°C
- PoE++ and DC/AC24V

#### Application:

Wide range area intrusion, perimeter protection, such as parks, scenic spots, stations and large venues, industrial park;  
Alert and expel children from danger: deep water/pool, rail-way, chemicals and explosion.

## SPECIFICATION:

Camera Module	
Image sensor	1/1.8" progressive scan CMOS
Mini. Illumination	Color: 0.002 Lux @ (F1.5, AGC ON); B/W: 0.0004 Lux @ (F1.5, AGC ON); 0Lux with IR
Image setting	Flip, Mirror, Saturation, Brightness, Contrast, Sharpness, AGC, and AWB adjusted by client software/browser
Shutter Speed	1/1 s – 1/10,000 s
White Balance	Auto/Manual/Indoor/Outdoor
Gain	Auto/Manual
Day & Night	IR Cut filter
Privacy Mask	4 Programmable privacy masks
Image Enhancement	3D-NR,BLC,HLC,WDR,logo Picture overlay on video
Lens	
Focus length	f=5.6 ~ 179.2 mm lens,32x optical
Zoom Speed	Approx. 4.2s (optical zoom, wide-tele)
Field of View	Horizontal:59.8° to 2.3°(wide-tele); Vertical: 33.6° to 1.3°(wide-tele); Diagonal: 68.6° to 2.6°(wide-tele)
Working distance	wide: 1.0m ~ INF; tele: 1.5m ~ INF
Aperture Range	F1.55 ~ F3.4 (wide-tele)
PTZ	
Pan Range	360°endless
Pan speed	Configurable, from 0.1~240°/s; Preset speed: 240°/s
Tilt Range	From -25° to 180° (auto-flip at 90°)
Tilt Speed	Configurable, from 0.1°~ 180°/s, Preset speed: 180°/s
Proportional Zoom	Yes
Preset	300
Cruise	8 cruises, up to 16 presets for each cruises
Track	4 tracks, record time over 3 minutes for each track
Power off memory	Support
Action mode	Preset/Cruise/Track/Auto Scan/Random Scan
3D Positioning	Support
PTZ Position Display	Support
Schedule Task	Preset/Cruise/Track/Random Scan/Boundary Scanning /Dome reboot
Supplement light	
IR light	200m (656 f.t.), 8x IR LEDs
White Light	30m(98.4 f.t.), 2x White LEDs
Smart IR	Yes
Network	
Max Resolution	1920x1080
Main stream	1920 × 1080, 1280 × 960, 1280 × 720 (25/30fps)
Sub stream	25fps (704 × 576, 640 × 480, 352 × 288); 30fps (704 × 480, 640 × 480, 352 × 240)
Third Stream	25fps (1920 × 1080, 1280 × 960, 1280 × 720, 704 × 576, 640 × 480, 352 × 288) 30fps (1920 × 1080, 1280 × 960, 1280 × 720, 704 × 480, 640 × 480, 352 × 240)
SVC	Yes
Video compression	H.265+/H.265/H.264+/H.264/MJPEG
Audio compression	G.711 A/U
Protocols	HTTP, HTTPS, IPv4/IPv6, 802.1x, QoS, FTP, SMTP, UPnP, SNMP,DNS, DDNS, NTP, RTSP, RTCP, RTP, TCP/IP, UDP, IGMP, ICMP,DHCP, PPPoE
Simultaneous live view	Up to 6 channels
User / Host	Up to 16 users, 3 levels: Administrator, Advanced User and Normal User
Security Measures	User authentication (ID and PW), Host authentication (MAC address); HTTPS encryption, IEEE802.1x port-based network access control; IP address filtering
Smart Features	

Basic event	Motion detection, video tampering alarm, exception (network disconnected, IP address conflict, SD full, SD error)
Face	Face detect, recognize and compare
Smart Detection	Intrusion detection, Line crossing detection, Region entrance detection, Region exiting detection, Object detection(object left/missing), Scene change detection; Support alarm triggering by human or vehicle, filtering flag/animal.
Smart Tracking	Manual Tracking, Auto Tracking (human or vehicle)
<b>System Integration</b>	
Alarm Interface	2CH external alarm input; 2CH external alarm output; built-in 2 white strobe LEDs, up to 30m
Audio Interface	1CH audio input, 2 to 2.4v[p-p] 1KΩ ±10%; 1CH audio output (line out), impedance: 600Ω 1 Built-in Speaker, up to 73dB @ 10m, 60dB @30m distance.
Alarm Linkage	Alarm actions, such as Preset, Cruise, Track, Memory Card Video Record, Trigger Recording, Notify Surveillance Center, Upload to FTP/Memory Card, Send Email, etc.
Network Interface	1 RJ45 10M/100M Adaptive Ethernet (Support PoE 802.3.bt,class 6)
CVBS	Yes, 1 BNC connector
RS 485	Pelco-D / P protocol, custom protocols available
Storage	One external memory card chamber, support microSD/SDHC/SDXC, up to 256G
API	ONVIF, TVT SDK and third-party
Client	TVT and 3 <sup>rd</sup> party NVR, VMS/CMS, Mobile App(iOS and Android)
Web Browser	IE(8-11)
<b>General</b>	
Power	AC24V, DC24V,PoE+ (802.3.bt, class 6), (Max 50W, include IR on, Heater on, Fan working)
Working condition	-40°C ~ 65°C (-40°F ~ 149°F),90%RH less (non-condensing),Cold start at - 40°C
Storage condition	-40°C ~ 70°C ; ≤ 95% RH
Protection	IP66, 6000V Lightning Protection, Surge Protection and Voltage Transient Protection
Material	Aluminum Alloy; PC+10% GF
Dimensions	Φ 219.9mm x H 358.5mm( Φ 8.7' x 14.1')
Weight	Approx. 6.0 Kg (13.22 lb.)
Certification	IP66,ROHS, CE, FC

## DORI table

It is calculated based on the camera sensor specification and the criteria given by EN 62676-4: 2015.

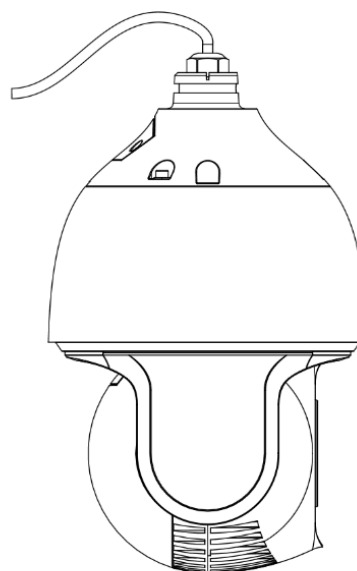
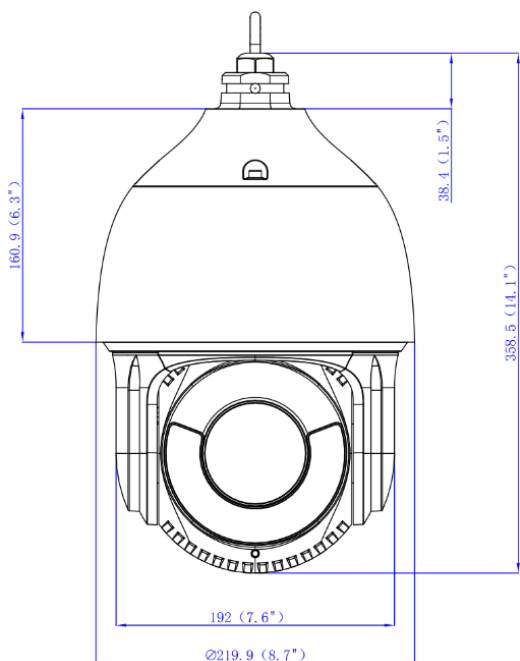
DORI	Detect (human behaviours)	Observe (as Court level evidence)	Recognize (face ID, CPL)	Identify (human and his photo)
Define	25Pixels/meter	63Pixels/meter	125Pixels/meter	250pixels/meter
Distance	1915m	760m	380m	190m

## Ordering information

Camera	TD-8623IM (A/PE/32M/AR20)	2MP 32X Starlight IR Network PTZ camera, Strobe light & Audio Alert,AC24V/ DC24V/PoE++, IP66,-40°C~65°C,with wall mount bracket and AC24V3A adaptor
Accessories	TD-YZJ0306	Wall mounting bracket (included)
	TD-YZJ0305+YZJ0501	Pole mounting bracket (optional)
	TD-YZJ0305+YZJ0601	Corner mounting bracket (optional)
	TD-YZJ0807	Pendant mounting bracket (optional)
	MKAC-66-243000U	AC24V 3A Power adaptor ( USA area included)
	MKAC-66-243000V	AC24V 3A Power adaptor (Europe area included)
	MKAC-66-243000VB	AC24V 3A Power adaptor ( UK area included)
	LAS60-57CN-RJ45	60Watt PoE++ Midspan (optional)
ONV-POE34064PFM	60Watt PoE++ Network switch (optional)	

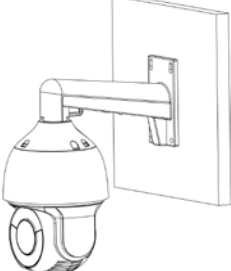
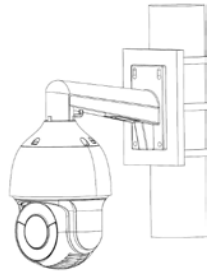
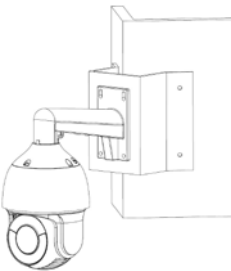

	TD-K23	Joystick/Pan-tilt Keyboard (optional)
--	--------	---------------------------------------

## Dimensions:



Unit: mm(inch)

## Mounting Brackets Options:

TD-YZJ0306 Wall mount	TD-YZJ0305+YZJ0501 Pole Mount	TD-YZJ0305+YZJ0601 Corner Mount	TD-YZJ0807 Pendant mount
			

## Accessories



Joystick  
K-23



Power adaptor  
MKAC-66-243000U(USA)  
MKAC-66-243000V(EU)  
MKAC-66-243000VB(UK)



PoE++ Midspan  
LAS60-57CN-RJ45



PoE++ Switch  
ONV-POE34064PFM



TD-YZJ0306  
Wall mounting bracket



TD-YZJ0305+YZJ0501  
Pole mounting bracket



TD-YZJ0305+YZJ0601  
Corner mounting bracket



TD-YZJ0807  
Pendant mounting bracket

\* All accessories listed here have been tested for compatibility, other vendors are not guaranteed

\* All pictures and texts are for reference only. Actual product may vary due to product enhancement.