

TVT

Secure The World With You

HD CCTV
Over Coax



4K DISPLAY

5MP RECORD

5MP PLAYBACK



TD-2700AS-PR

TVT

TVT DIGITAL TECHNOLOGY CO., LTD.

Address: 5F, North Block, CE Lighting House, Hi-Tech Park, Nanshan District, Shenzhen, Guangdong Province, P.R.China 518057
Tel: +86-755-3330 6001
Fax: +86-755-3330 6002
Web site: www.tvt.net.cn
E-mail: overseas@tvt.net.cn



4K Output



H.264



DDNS



Network



PTZ



Audio



MIC



Mobile



CMS



USB



Mouse



E-mail

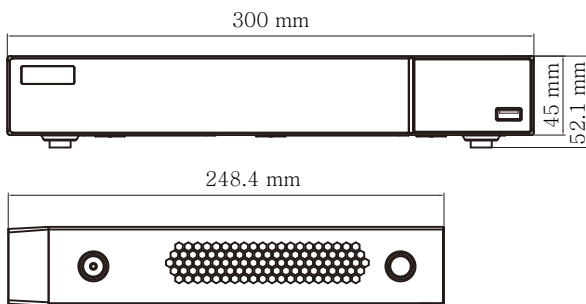
Introduction

TD-2700AS-PR series are 4 / 8 CH 5MP high definition hybrid DVRs with ability to connect analog and IP cameras simultaneously, which adopt the standard H.264 high profile compression format and the most advanced SOC technique to ensure real time recording in each channel and realize outstanding robustness of the system. TD-2700AS-PR support 4 / 8 CH video input, 4 / 1 CH audio input, simultaneous 4 / 8 CH playback. The series of product can meet different security requirements of home, financial, commerce, enterprise, transportation and government, etc.

Characteristics

- 4 / 8 CH TVI / CVI / AHD video input
- 4 / 8 CH 5MP / 4MP / 3MP / 1080P / 720P / WD1 recording
- 1 / 4 CH IPC 4MP / 3MP / 1080P / 960P / 720P recording
- Adopt standard H.264 high profile compression format to get high-quality video at much lower bit rate
- Intuitive and user-friendly Graphics User Interface (GUI), window style operation by mouse
- Multi-mode recording: manual / timer / motion / sensor
- Playback : 4 / 8 CH simultaneously playback
- Search: time slice, time, event (manual, sensor, motion), tag search
- Express and flexible backup via USB, network and so on
- Pentaplex: preview, record, playback, backup and remote access
- DHCP, DDNS, PPPoE network protocol, IE browse and CMS supported
- Remote control via IE or CMS : preview, playback, backup, PTZ and configuration
- Dual stream technology for local storage with high definition, remote network transmission and remote surveillance with mobile device
- Multi-user online simultaneously
- Authorization management, log review and device status review
- HDMI 4K output, true high resolution display
- Support PTZ preset and auto cruise, up to 255 presets and 8 cruises
- Support NAT function and QRCode scanning by mobile phone and PAD
- Powerful smart phone & Pad surveillance with iOS and Android OS

Dimensions

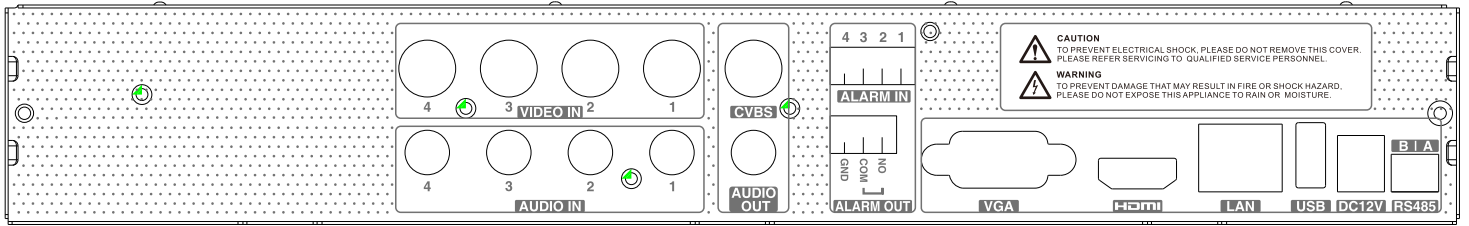


Specification

Model		TD-2704AS-PR	TD-2708AS-PR
System	Compression	Standard H.264 High Profile	
	CPU	Cortex A9	
	OS	Embedded Linux	
Video	Input	BNC × 4	BNC × 8
	Resolution	TVI / AHD : 5MP@20fps; 4MP, 3MP, 1080P, 720P, WD1 real time CVI : 4MP, 3MP, 1080P, 720P real time	
	IP Input / Access Bandwidth	IPC × 1 / 6Mbps	IPC × 4 / 24Mbps
	Output	HDMI × 1 : 2560 × 1440 / 1920 × 1080 / 1280 × 1024 / 1024 × 768 VGA × 1 : 1920 × 1080 / 1280 × 1024 / 1024 × 768 BNC × 1 : CVBS (used as the main or spot output)	
Audio	Input	RCA × 4	RCA × 1
	Output	RCA × 1	
	Two-way audio	Take up channel one audio input	
Record	Resolution	5MP, 4MP, 3MP, 1080P, 720P, WD1	
	Frame Rate	5MP : 10fps (PAL / NTSC) 4MP / 3MP : 12 fps (PAL) / 15 fps (NTSC) 1080P/720P/WD1: 25 fps (PAL) /30 fps (NTSC)	
	Bit Rate	768Kbps ~ 8Mbps	
	Mode	Manual, timer, motion, sensor	
IP Input	Resolution	4MP / 3MP / 1080P / 960P / 720P	
	Frame Rate	12fps (PAL) 15fps (NTSC)	
Play back	Playback	4 CH	8 CH
	Search	Time slice / time / event / tag search	
	Smart Search	Highlighted color to display the camera record in a certain period of time, different colors refers to different record events	
	Function	Play, pause, FF, FB, digital zoom, etc.	
Alarm	Mode	Manual, sensor, motion, exception	
	Input	4	No
	Output	1	No
	Triggering	Record, snap, preset, e-mail, etc.	
Network	Interface	RJ45 10 / 100Mbps × 1	
	Protocol	TCP / IP, PPPoE, DHCP, DNS, DDNS, UPnP, NTP, SMTP	
	Web Client	Multiple users online	
Mobile Device	OS	iOS, Android	
Storage	HDD	SATA × 1, max 8T per HDD	
Backup	Local Backup	U disk, USB mobile HDD	
	Network Backup	Yes	
Port	RS485	RS485 × 1, connect to PTZ or keyboard	
	USB	USB 2.0 × 2	USB 2.0 × 1 (front panel), USB 3.0 × 1 (rear panel)
	Remote Controller	Optional	
Others	Power Supply	DC 12V/2A	DC 12V/3A
	Consumption	≤ 15W (without HDD)	
	Dimensions (mm)	300 × 248 × 52 (W × D × H)	
	Work Environment	-10 ~ 50 °C , 10% ~ 90% humidity	

Rear Panels

TD-2704AS-PR



TD-2708AS-PR

